

CCTV Cameras

WV-BP100/WV-BP104

Operating Instructions



WV-BP100

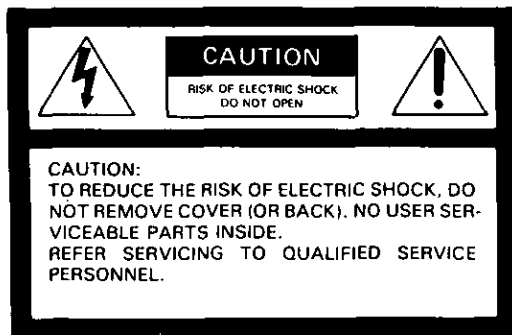


WV-BP104

(Lens : option)

Panasonic®

Before attempting to connect or operate this product,
please read these instructions completely.



SA 1965

The lightning flash with arrowhead symbol, within an equilateral triangle, is intended to alert the user to the presence of uninsulated "dangerous voltage" within the product's enclosure that may be of sufficient magnitude to constitute a risk of electric shock to persons.



SA 1966

The exclamation point within an equilateral triangle is intended to alert the user to the presence of important operating and maintenance (servicing) instructions in the literature accompanying the appliance.

For U.S.A.

Warning:

This equipment generates and uses radio frequency energy and if not installed and used properly, i.e., in strict accordance with the instruction manual, may cause harmful interference to radio communications. It has been tested and found to comply with the limits for a Class A computing device pursuant to Subpart J of Part 15 of FCC Rules, which are designed to provide reasonable protection against such interference when operated in a commercial environment.

For CANADA

This digital apparatus does not exceed the Class A limits for radio noise emissions from digital apparatus set out in the Radio Interference Regulations of the Canadian Department of Communications.

The serial number of this product may be found on the bottom of the unit.
You should note the serial number of this unit in the space provided and retain this book as a permanent record of your purchase to aid identification in the event of theft.

Model No. _____

Serial No. _____

WARNING:

TO PREVENT FIRE OR SHOCK HAZARD, DO NOT EXPOSE THIS APPLIANCE TO RAIN OR MOISTURE.

CONTENTS

PREFACE	2
FEATURES	2
PRECAUTIONS	3
MAJOR OPERATING CONTROLS AND THEIR FUNCTIONS	4
CONNECTIONS	7
LENSES	9
FOCUS OR FLANGE-BACK ADJUSTMENT	15
INSTALLATION OF CAMERA	16
PREVENTION OF BLOOMING AND SMEAR	16
LENS MAINTENANCE AND CLEANING	16
SPECIFICATIONS	17
STANDARD ACCESSORIES	18
OPTIONAL ACCESSORIES	18

PREFACE

Panasonic's WV-BP100 series cameras introduce a new level of high picture quality through the use of a 1/3 inch interline transfer CCD having 512 horizontal pixels (picture elements). High performance-to-cost ratio is achieved through the use of newly developed Sync IC's and ability to shoot indoor scenes with a fixed iris lens by use of Electronic Light Control (ELC) function.

FEATURES

- Minimum illumination of 0.03 footcandle (0.3 lux) at F1.4 and Signal-to-noise ratio of 46 dB by employing a 1/3 inch interline transfer CCD image sensor with 512 (H) × 492 (V) pixels.
- 380 lines of horizontal resolution.
- Either optional standard C-mount or Special C-mount (CS-mount) auto iris control lens can be used with.
- Selectable auto iris control signal for the lens either a video signal or DC control signal.
- Line-locked Sync or switchable Multiplexed Vertical Drive (VD2) automatically.
- Ability to shoot indoor scenes with fixed iris lens by use of Electronic Light Control (ELC) function.

PRECAUTIONS

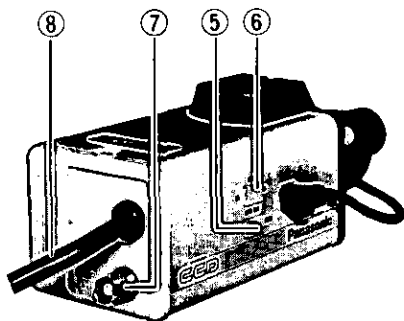
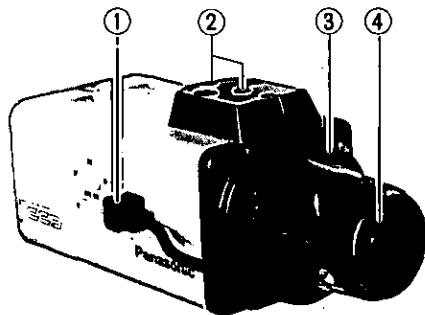
- **Do not attempt to disassemble the camera.**
To prevent electric shock, do not remove screws or cover. There are no user-serviceable parts inside. Refer servicing to qualified service personnel.
- **Handle the camera with care.**
Do not abuse the camera. Avoid striking or shaking it. The camera could be damaged by improper handling or storage.
- **Do not expose the camera to rain or moisture, or try to operate it in wet areas.**
Do take immediate action if ever the camera do becomes wet. Turn power off and refer servicing to qualified service personnel. Moisture can damage the camera and also create the danger of electric shock.

- **Never face the camera toward the sun.**
Whether the camera is in use or not, never face it toward the sun. Do use caution when operating the camera in the vicinity of spot lights or other bright lights and light reflecting objects.
- **Do not operate the camera beyond its temperature, humidity or power source ratings.**
Do not use the camera in an extreme environment where high temperature or high humidity exist. Use the camera under conditions where temperatures are within -22°F - 122°F (-30°C - $+50^{\circ}\text{C}$), and humidity is below 90%. The input power source is 120V AC 60 Hz for WV-BP100 or 24V AC 60 Hz for WV-BP104.

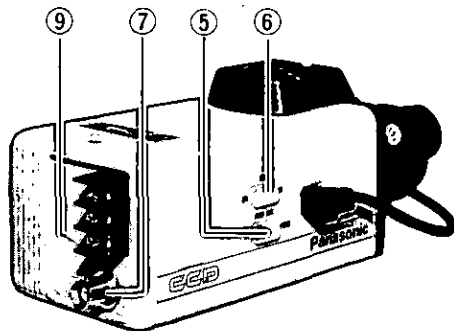
Caution :

To prevent fire or shock hazard, the UL listed wire VW-1, style 1007 should be used for the cable for AC 24V Input Terminal.

MAJOR OPERATING CONTROLS AND THEIR FUNCTIONS



WV-BP100



WV-BP104

(1) Auto Iris Lens Connector

This 4-pin female connector supplies the power and either video signal or DC control signal to the auto iris lens.

A 4-pin male connector, which can be mated with the camera's female connector, is supplied as a standard accessory (Part No. YFE4191J100).

This male connector can be installed on lenses which have incompatible type connector.

See page 13 for installation details.

(2) Camera Mounting Screw Hole

- This threaded hole (1/4" - 20) is used to mount the camera onto a mounting bracket or tripod.

(3) Flange-back Adjusting Ring

This ring is used to adjust the back focal length or picture focus by rotating this ring to clockwise for C-mount lens or counterclockwise for special C-mount (CS-mount) lens.

Cautions :

1. Always set this ring to fully clockwise before mounting the lens.
2. Do not turn this ring too much to counterclockwise when the C-mount lens is mounted as this could damage the inner glass and CCD image sensor.

(4) Lens (Option)

See pages 9, 10, 11 and 12 for details on lens selection.

(5) Lens Selection Switch (AUTO IRIS, DC/VIDEO)

This switch is used to select the supplied auto iris control signal to the lens from the Auto iris lens Connector (1).

DC :

Choose this position when the auto iris control lens requiring DC control signal such as WV-LA2.8, WV-LA4R5C3, WV-LA6B2, WV-LA9C3, WV-LA12B2, WV-LA18, WV-LA36, WV-LA4510, WV-LA608, WV-LA1208, WV-LZ81/6A, WV-LZ81/10, WV-LZ83/6, is mounted on the camera.

VIDEO :

Choose this position when the auto iris control lens requiring video signal such as WV-LA8B, WV-LA16B, WV-LA25B, WV-LA50B, is mounted on the camera.

**(6) Electronic Light Control ON/OFF Switch
(ELC ON/OFF)**

OFF :

Choose this position used with an auto iris lens.

ON :

Choose this position used with a fixed or manual iris lens.

See page 6 for more details.

(7) Video Output Connector (VIDEO)

A 1.0 Vp-p/75 ohms composite video signal is provided at this connector.

(8) AC Power Cord

(9) AC 24V In Terminal (AC 24V IN)

This terminal accepts 24V AC power source (19.5V - 28V). Be sure to connect grounding lead to the GND terminal.

Cautions :

1. Connect this to a 24V AC class 2 power supply only.
2. To prevent fire or shock hazard, the UL listed wire VW-1, style 1007 should be used for the cable for AC 24V Input Terminal.

ELC (Electronic Light Control)

In this mode a continuously variable electronic shutter is employed to automatically control exposure times in the CCD Image Sensor, according to the incoming light level. With this mode selected, fixed or manual iris lens can be used instead of an ALC type lens.

Cautions :

1. Under bright conditions such as outdoors, use an ALC type lens as the ELC control range is not wide enough under these conditions.
2. Under certain unique lighting conditions, the following may appear :
 - Strong smear and/or blooming on high light objects such as spot lights or windows.
 - Noticeable flicker on the picture.Should these phenomena occur, use an ALC lens
3. When using in the ELC mode with a fixed iris lens, the depth of field of the image may be less than that obtained by using an ALC lens. Depth of field varies inversely with the iris opening. Thus, using this camera in the ELC mode with the fixed iris lens fully opened will result in less depth of field than if an ALC lens was used. (And distant objects in the picture might not be in focus).

CONNECTIONS

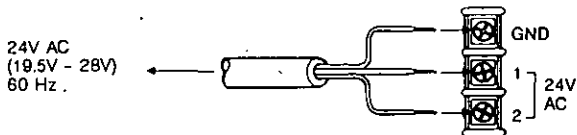
Power Source

■ WV-BP100

Connect the AC Power Cord (8) to a electrical outlet of 120V AC 60 Hz.

■ WV-BP104

1. A power supply of 24V AC 60 Hz is required.
2. Connect the power cable to the 24V AC In Terminal (9) on the rear panel of the camera.



Recommended wire gauge sizes for 24V AC line.

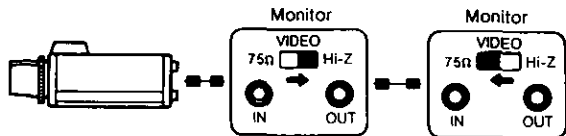
Copper wire size (AWG)	#24 (0.22mm ²)	#22 (0.33mm ²)	#20 (0.52mm ²)	#18 (0.83mm ²)
Length of Cable (Approx.)				
(ft)	314	495	842	1403
(m)	95	150	255	425

Caution :

To prevent fire or shock hazard, the UL listed wire VW-1, style 1007 should be used for the cable for AC 24V Input Terminal.

Video Cable

1. It is recommended to use a video monitor whose resolution is at least equal to the camera's.
 2. Terminate the camera output with 75-ohm resistor at the furthest end of its cable run.
- It is recommended to use 75-ohm coaxial cable.
 - Always set the last monitor's termination switch to 75 ohms, and set the termination switches of intermediate monitors to high impedance (Hi-Z) position.



- The maximum extensible coaxial cable length between the camera and the monitor is shown in the table 1. Since cable quality varies among manufactures, verify video quality before final installation if maximum lengths are to be used.

Table 1

Type of coaxial cable		RG-59/U (3C-2V)	RG-6U (5C-2V)	RG-11/U (7C-2V)	RG-15/U (10C-2V)
Recommended maximum cable length	(ft)	825	1,650	1,980	2,640
	(m)	250	500	600	800

3. Wiring precautions :

- Do not bend coaxial cable into a curve whose radius is smaller than 10 times the cables diameter.
- Never staple the cable-not even with circular staples. Mismatching will occur.
- Never crush or pinch the cable.
All of these will change the impedance of the cable and cause poor picture quality.

LENSES

1. Selection of Lens

<Auto Iris Lenses>

Models Specifications		WV-LA2.8 (Wide Angle)	WV-LA6B2 (Wide Angle)	WV-LA12B2 (Standard)	WV-LA18 (Telephoto)	WV-LA36 (Telephoto)
Image Size		1/2" (6.4 (H) X 4.8 (V) mm)				
Focal Length		2.8 mm	6 mm	12 mm	18 mm	36 mm
Maximum Aperture Ratio		1 : 1.4	1 : 1.4	1 : 1.4	1 : 1.4	1 : 1.8
Angular Field of View	H	107.0° [87.5°]	56.8° [43.5°]	30.4° [22.8°]	20.4° [15.5°]	102° [7.7°]
	V	88.0° [69.2°]	43.5° [33.0°]	22.8° [17.1°]	152° [11.5°]	7.7° [5.7°]
Focusing Range		Adjusted by Camera			0.89 (ft) - ∞ 0.27 (m) - ∞	3.3 (ft) - ∞ 1 (m) - ∞
Mount		Special C-mount (CS-mount, 1"-32UN)				
Filter Size		None			φ37.5 mm, P = 0.5	φ37.5 mm, P = 0.5
Dimensions		φ1-11/16" X 1-5/16" (φ43 X 34 mm)	φ1-11/16" X 1-7/16" (φ43 X 36 mm)	φ1-11/16" X 1-7/16" (φ43 X 36 mm)	φ1-11/16" X 1-5/8" (φ43 X 41 mm)	φ1-11/16" X 1-5/8" (φ43 X 41 mm)
Weights		0.14 lbs. (65g)	0.11 lbs. (50g)	0.09 lbs. (40g)	0.15 lbs. (70g)	0.18 lbs. (80g)

- [] indicates an angle used with the camera WV-BP100 Series.
- Dimensions and weights indicated are approximate.
- Specifications are subject to change without notice.

<Auto Iris Lenses>

Models Specifications	WV-LZ81/6A (Motorized Zoom)	WV-LZ81/10 (Motorized Zoom)	WV-LA4R5C3 (Wide Angle)	WV-LA9C3 (Standard)	
Image Size	1/2" (6.4 (H) × 4.8 (V) mm)		1/3" (4.8 (H) × 3.6 (V) mm)		
Focal Length	8.5 - 51 mm (6X)	8 - 80 mm (10X)	4.5 mm	9 mm	
Maximum Aperture	1 : 1.2 (Wide) 1 : 1.3 (Tele)	1 : 1.4 (Wide) 1 : 1.7 (Tele)	1 : 1.2	1 : 1.2	
Angular Field of View	H	Wide : 41.9° [31.4°] Tele : 7.2° [5.5°]	Wide : 44.6° [33.5°] Tele : 4.6° [3.5°]	58.4°	29.6°
	V	Wide : 31.3° [23.5°] Tele : 5.5° [4.1°]	Wide : 33.5° [25.2°] Tele : 3.5° [2.6°]	43.3°	22.2°
Focusing Range	3.3 (ft) - ∞ 1 (m) - ∞	3.6 (ft) - ∞ 1.1 (m) - ∞	Adjusted by Camera		
Mount	Special C-mount (CS-mount, 1"-32UN)				
Filter Size	φ49 mm, P = 0.75	φ55 mm, P = 0.75	None		
Dimensions	3-3/8"(W) × 2-7/16"(H) × 3-7/8"(D) 86(W) × 62(H) × 99(D) mm	3-3/16"(W) × 2-5/8"(H) × 4-1/2"(D) 81(W) × 66(H) × 114(D) mm	φ1-11/16" × 1-1/2" (φ43 × 38.5 mm)	φ1-11/16" × 1-1/2" (φ43 × 38.5 mm)	
Weights	0.93 lbs. (420g)	0.99 lbs. (450g)	0.09 lbs. (42g)	0.09 lbs. (40g)	

- [] indicates an angle used with the camera WV-BP100 Series.
- Dimensions and weights indicated are approximate.
- Specifications are subject to change without notice.

<Auto Iris Lenses>

Models Specifications		WV-LA4510 (Wide Angle)	WV-LA608 (Wide Angle)	WV-LA1208 (Standard)	WV-LZ83/6 (Motorized Zoom)
Image Size		1/2" (6.4 (H) × 4.8 (V) mm)			
Focal Length		4.5 mm	6 mm	12 mm	8.5 - 51 mm (6X)
Maximum Aperture		1 : 1.0	1 : 0.75	1 : 0.8	1 : 0.8 (Wide) 1 : 1.0 (Tele)
Angular Field of View	H	73.2° [56.9°]	57.5° [43.8°]	31.7° [23.8°]	Wide : 41.6° [31.3°] Tele : 7.2° [5.5°]
	V	56.9° [43.6°]	43.9° [33.1°]	23.6° [17.6°]	Wide : 31.3° [23.4°] Tele : 5.4° [4.1°]
Focusing Range		Adjusted by Camera			4.0 (ft) - ∞ 1.2 (m) - ∞
Mount		Special C-mount (CS-mount, 1"-32UN)			
Filter Size		None	φ46 mm, P = 0.75	φ46 mm, P = 0.75	φ67 mm, P = 0.75
Dimensions		1-11/16" × 1-11/16" (φ43 × 43 mm)	2-1/16" × 2-3/16" (φ52 × 55 mm)	2-5/8" × 2-7/8" (φ66 × 72.5 mm)	3-1/2"(W) × 3"(H) × 4-5/8"(D) 90(W) × 77(H) × 119(D) mm
Weights		0.19 lbs. (85g)	0.34 lbs. (155g)	0.56 lbs. (255g)	1.63 lbs. (740g)

- When using the above lenses with the camera, be sure to read instruction manual of lenses.
- [] indicates an angle used with the camera WV-BP100 Series.
- Dimensions and weights indicated are approximate.
- Specifications are subject to change without notice.

<Manual and Fixed Iris Lenses>

Models Specifications		WV-LM4R5A (Wide Angle)	WV-LM6B2 (Wide Angle)	WV-LM12B2 (Standard)	WV-LF4R5C3 (Wide Angle)	WV-LF9C3 (Standard)
Image Size		1/2" (6.4 (H) × 4.8 (V) mm)			1/3" (4.8 (H) × 3.6 (V) mm)	
Focal Length		4.5 mm	6 mm	12 mm	4.5 mm	9 mm
Maximum Aperture Ratio		1 : 1.4	1 : 1.4	1 : 1.4	1 : 1.2	1 : 1.2
Angular Field of View	H	72.6° [56.9°]	56.8° [43.5°]	30.4° [22.8°]	56.4°	29.6°
	V	56.7° [43.6°]	43.5° [33.0°]	22.8° [17.1°]	43.3°	22.2°
Iris		Manual	Manual	Manual	Fixed	Fixed
Focusing Range		Adjusted by Camera				
Mount		Special C-mount (CS-mount, 1"-32UN)				
Filter Size		φ37.5 mm, P = 0.5	None	None	φ30.5 mm, P = 0.5	φ30.5 mm, P = 0.5
Dimensions		φ1-3/4" × 1-5/8" (φ44 × 41 mm)	φ1-11/16" × 1-9/16" (φ43 × 39 mm)	φ1-11/16" × 1-9/16" (φ43 × 39 mm)	φ1-3/8" × 1-7/16" (φ34.4 × 36 mm)	φ1-3/8" × 1-7/16" (φ34.4 × 36 mm)
Weights		0.20 lbs. (93g)	0.10 lbs. (45g)	0.08 lbs. (35g)	0.06 lbs. (29g)	0.05 lbs. (23g)

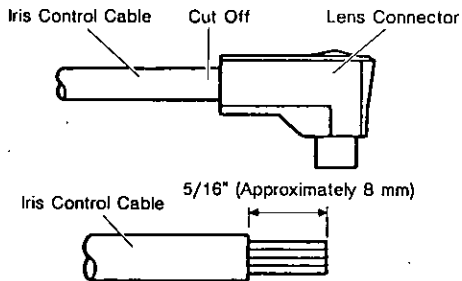
- [] indicates an angle used with the camera WV-BP100 Series.
- Dimensions and weights indicated are approximate.
- Specifications are subject to change without notice.

2. Installation of Auto Iris Lens Connector

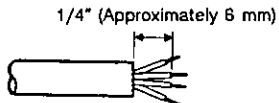
When you use an auto iris lens other than listed on pages 9, 10 and 11, for example a video servo ALC lens, install the lens connector (YFE4191J100) coming with the camera as follows.

The following installation should be made by qualified service personnel or system installers.

- (1) Cut off the iris control cable at the edge of lens connector and then cut off the outer cable cover as shown in the diagram.



- (2) Cut off the inner cable covers of the iris control cable as shown in the diagram.



- (3) Put the heat shrinkable tubes or equivalent tubes on the inner cables of the iris control cable.
- (4) Solder the inner cable of the iris control cable at the pin-plug block according to the following pin assignment and cover the heat shrinkable tubes or equivalent tubes over the soldered area and heat on the tubes to shrink them.

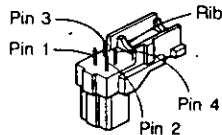
Pin 1 : Power source : +9V DC, 50 mA Max.

Pin 2 : Not used

Pin 3 : Video signal : 0.7Vp-p/40 kohms

Pin 4 : Shield, ground

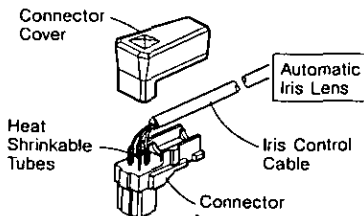
(Set the Lens Selection Switch (5) to the VIDEO Position)



- (5) Both the connector cover and connector should be positioned to interlock.

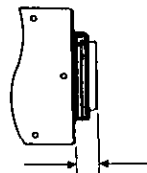
Note :

Cut off the rib on the connector, when the iris control cable is too thick and the connector cover and connector can not be interlocked.



3. Mounting the Lens

When you use the lens other than listed on pages 9, 10, 11 and 12, lens mount should be C-mount or special C-mount (CS-mount 1"-32UN) and lens weight should be less than 0.99 lbs. (450g). If not, both the lens and camera should be secured. The protrusion of the rear of the lens should be as shown below.



C-mount : Less than 7/16" (11.5 mm)
CS-mount : Less than 1/4" (7.2 mm)

Caution :

Always set the Flange-back adjusting ring to fully clockwise (C-mount side) by loosening screws on the ring before mounting the lens, otherwise the inner glass and CCD image sensor could be damaged by the lens.

- (1) Mount the lens by turning it clockwise onto the lens mount of the camera.
- (2) Connect the lens cable to the Auto Iris Lens Connector on the camera when an auto iris lens is used.
- (3) Set the Lens Selection Switch (5) to the proper position as follows.

DC :

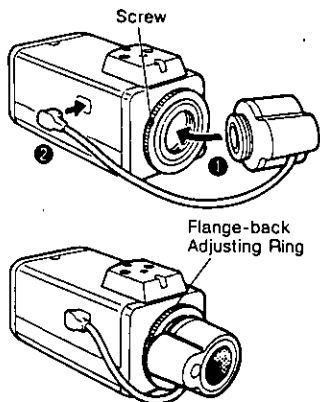
The mounted lens is one of the lenses listed on pages 9, 10 and 11 or one that requires the DC control signal for auto iris control.

VIDEO :

The mounted lens requires video signal for auto iris control.

Note :

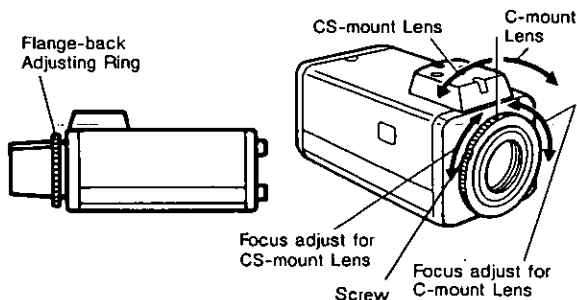
Refer to item (5) on page 5 for the lens selection switch.



FOCUS OR FLANGE-BACK ADJUSTMENT

The following adjustment should be made by qualified service personnel or system installers.

1. Loosen screws on the flange-back adjusting ring.



2. Turn the flange-back adjusting ring to the desired position.

Caution :

Do not turn this ring too much to counterclockwise as this could damage the inner glass and CCD image sensor.

3. Tighten the screws on the flange-back adjusting ring.

INSTALLATION OF CAMERA

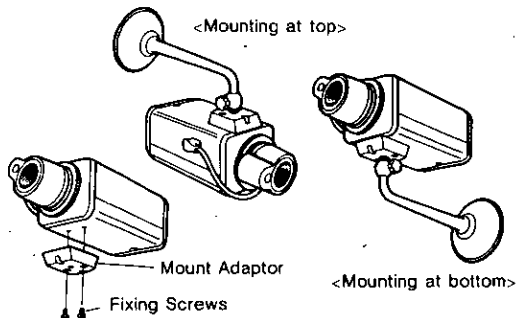
- **Mounting from the top**

This camera is originally designed to be mounted from the top, as shown. The hole is the standard photographic pan-head screw size (1/4" - 20).

- **Mounting from the bottom**

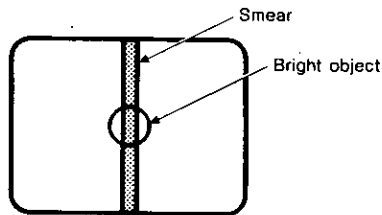
Remove the mount adaptor from the top of the camera by removing two fixing screws. Attach the mount adaptor to the bottom as shown in the diagram, then mount the camera on the mounting bracket.

Make sure that two original screws are used when mounting the mount adaptor ; longer type screws may damage inner components.



PREVENTION OF BLOOMING AND SMEAR

When the camera is faced toward spot light or other bright lights and light reflecting objects, smear or blooming may appear. Therefore, the camera should be operated carefully in the vicinity of extremely bright objects to avoid smear or blooming.



LENS MAINTENANCE AND CLEANING

1. Remove the lens connector.
2. Remove the lens, and inspect the camera CCD faceplate through the lens mount opening to assure that the faceplate is free of smudges or particles of dirt.
3. Clean the CCD faceplate, if necessary, using lens tissue or a cotton tipped applicator and ethanol.
4. Install the new lens.

SPECIFICATIONS

Pick-up Device :	512 (H) × 492 (V) pixels. Interline Transfer CCD
Scanning Area :	4.8 (H) × 3.6 (V) mm (Equivalent to scanning area of 1/3" pick-up tube)
Synchronization :	Line-locked mode or switchable Multiplexed Vertical Drive (VD2) automatically
Scanning System :	2 : 1 interlace
Scanning :	525 lines/60 fields/30 frames
Horizontal :	15.75 kHz
Vertical :	60 Hz
Horizontal Resolution :	380 lines
Video Output :	1.0 Vp-p composite, 75 ohms/BNC connector
Signal-to-Noise Ratio :	46 dB
Automatic Light Compensation :	ALC : 1 : 10,000 with F1.4 ALC lens
Electronic Light Control :	Equivalent to continuous variable shutter speed between 1/60 sec. and 1/10,000 sec.
Minimum Illumination :	0.03 footcandle (0.3 lux) at F1.4, AGC ON
Lens Mount :	C-mount or special C-mount (CS-mount)
Ambient Operating Temperature :	-22°F - 122°F (-30°C - +50°C)
Ambient Operating Humidity :	Less than 90%
Power Source :	WV-BP100 120V AC 60.Hz WV-BP104 24V AC 60Hz
Power Consumption :	WV-BP100 4.5W WV-BP104 5W
Dimensions (without lens) :	2-3/4" (W) × 2-3/4" (H) × 5-9/16" (D) 70 (W) × 70.5 (H) × 141 (D) mm
Weights (without lens) :	WV-BP100 1.8 lbs. (0.82 kg) WV-BP104 1.5 lbs. (0.68 kg)

Weights and dimensions indicated are approximate.
Specifications are subject to change without notice.

STANDARD ACCESSORIES

ALC Lens Connector (YFE4191J100) 1 pc.
Body Cap 1 pc.

OPTIONAL ACCESSORIES

Lenses : WV-LA2.8, WV-LA6B2, WV-LA12B2
WV-LA18, WV-LA36, WV-LA4510
WV-LA608, WV-LA1208, WV-LA4R5C3
WV-LA9C3
WV-LZ81/6A, WV-LZ81/10, WV-LZ83/6
WV-LM4R5A, WV-LM6B2, WV-LM12B2
WV-LF4R5C3, WV-LF9C3

Panasonic

Communications & Systems Company

Division of Matsushita Electric Corporation of America

CLOSED CIRCUIT VIDEO EQUIPMENT DIVISION

Executive Offices: One Panasonic Way, Secaucus, New Jersey 07094

Regional Offices

Northeast Region: 50 Meadowland Parkway, Secaucus, NJ 07094 (201) 348-7303
Southeast Region: 1854 Shackleford Court, Suite 115, Norcross, GA 30093 (404) 925-6835
Midwest Region: 425 E. Algonquin Road, Arlington Heights, IL 60005 (708) 840-5168
Southwest Region: 4500 Amon Carter Blvd., Ft Worth, TX 76155 (817) 685-1117
Western Region: 6550 Katella Ave., Cypress, CA 90630 (714) 373-7285

MATSUSHITA ELECTRIC OF CANADA LIMITED

5770 Ambler Drive, Mississauga, Ontario, Canada L4W 2T3 (416) 624-5010

PANASONIC SALES COMPANY

DIVISION OF MATSUSHITA ELECTRIC OF PUERTO RICO, INC.

San Gabriel Industrial Park, 65th Infantry, Ave. KM. 9.5 Carolina, Puerto Rico 00630 (809) 750-4300

N0192-0

YWV8QA2742AN

Printed in Japan